

Xerus®

TAK

Art.nr

090-3000	Xerus 50 C med takstativ 2,30 till 2,50 m
090-3010	Xerus 50 C med takstativ 2,50 till 2,70 m
090-3020	Xerus 50 C med takstativ 2,70 till 2,90 m
090-3030	Xerus 50 C med takstativ 2,90 till 3,10 m
090-3040	Xerus 50 C med takstativ 3,10 till 3,30 m



VÄGG

Art.nr

090-4000	U-lampa vägg Xerus 50 W för väggmontage
----------	---



GOLV

Art.nr

090-2000	Xerus 50 F m femfots rullstativ. Lätt att manövrera.
----------	---

Xerus undersökningslampa, variant F, C och W

Ljusstyrka:

Ljusstyrka avstånd 1 meter	> 40 000	lux
Ljusstyrka avstånd 0.8 meter	> 60 000	lux

Ljusfälts diameter:

Fast Fix fokus	100 mm på 1m, >40 000 lx
Justerbart	finns inte

Demonerbart, steriliserbart höjjusteringshandtag

Ljusfältsdjup	400 mm -50%
Färgtemperatur (Kelvintal)	4100 K

Glödlampa

Effekt lampa	50 W
Drivspänning	12 V
Glödlampans beräknade livslängd	500 tim

Strömbrytare för lampan placerad på lamphusets framsida

Justerbar ljusstyrka (dimmer)	saknas
Vikt	3,5 kg
Dim. lamphuvud	310x330 mm
Lamphusets ljusöppning	260 mm diameter
Arbetsområde avstånd	1000 mm
Lamphuset höjjusterbart	1000 mm
Lamphusets aktionsradie	1600 mm, variant 4 och 6
Uppvärmade faktor undersida undersökningslampa,	<10°



Dmed® xerus 50 C

TECHNICAL DATA

EXAMINATION LIGHTS

FITTED WITH	1 x halogen lamp QR-CB51 50 W - D99204000
LUMINOUS POWER	33 000 Lux / 1,0 m
ILLUMINANCEFIELD 1,0 M	Ø 19 cm
COLOUR TEMPERATURE	approx. 4100 K
WORK EQUIPMENT	electronic transformer
CONNECTED LOAD	230 V; 50 Hz
MAINS LEAD	direct power supply
LUMINAIRE BODY	polycarbonate (PC)
WEIGHT (NET)	approx. 18,5 kg
POWER CONSUMPTION	approx. 65 W
USAGE	rocker switch (I/O)
TECHNOLOGY	single-pole secondary
BALANCE OF ARTICULATION JOINTS	pneumatic spring (weight compensation)
CLASS OF PROTECTION	II
NORMS	EN 60601-1
SPECIAL FEATURES	colour correction filter (4100 K), sterilisable grip
FASTENING	ceiling mount, intermediate ceiling adapter (on request)



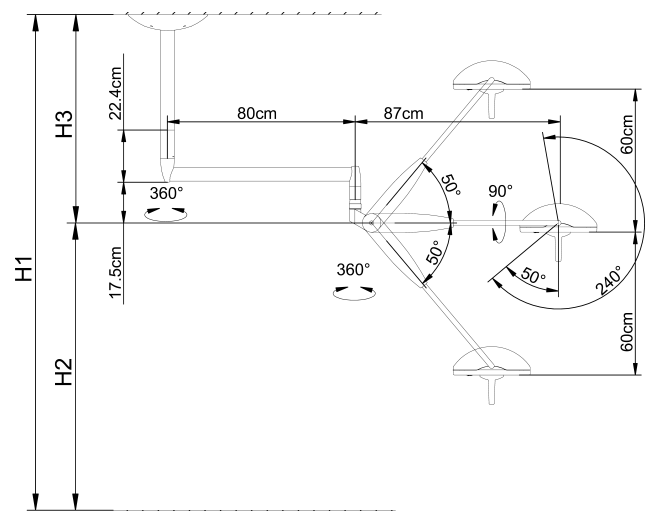
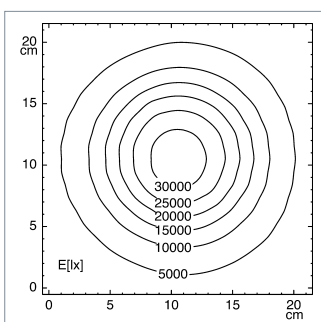
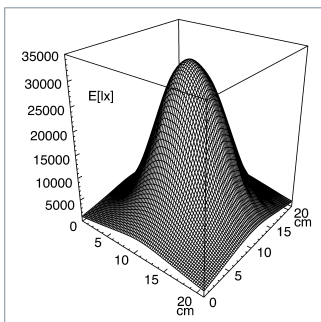
	H2 Headroom, horizontal arm (cm)*						H3 Ceiling clearance	Order No.
	150	160	170	180	190	200	70 cm	
200								
210								
220	■							
230		■						
240			■					
250				■				
260					■			
270						■		
280								
290								
300								
310								
320								
330								

* Light emission surface from this measure:
+60 cm highest position
-60 cm lowest position

Recommended distance from the light head to the work surface = 1 m

LIGHT DISTRIBUTION

TECHNICAL DRAWING



Dmed® xerus 50 F

TECHNICAL DATA

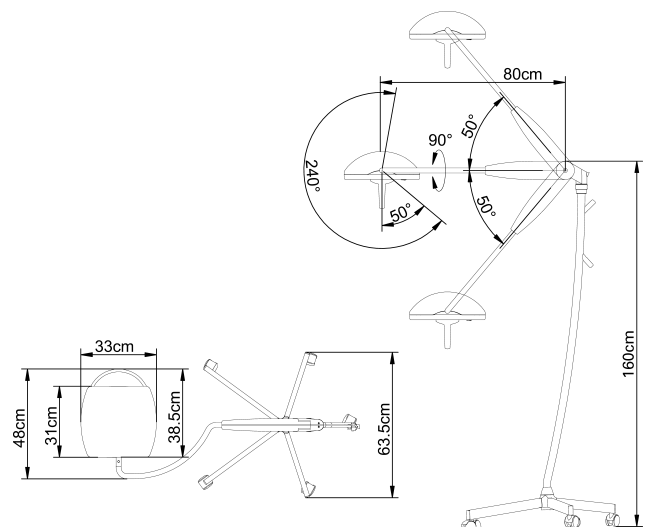
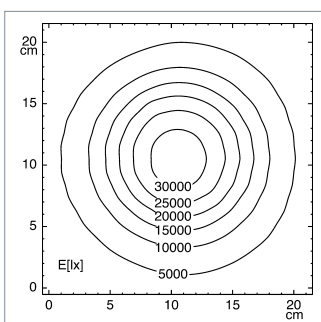
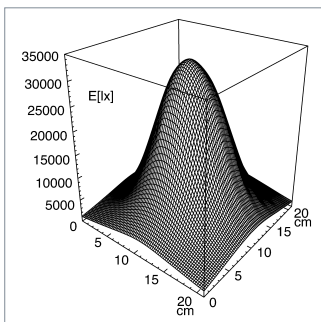
EXAMINATION LIGHTS

FITTED WITH	1 x halogen lamp QR-CB51 50 W - D99204000
LUMINOUS POWER	33 000 Lux / 1,0 m
ILLUMINANCEFIELD 1,0 M	Ø 19 cm
COLOUR TEMPERATURE	approx. 4100 K
WORK EQUIPMENT	electronic transformer
CONNECTED LOAD	230 V; 50 Hz
MAINS LEAD	approx. 4.8 m UK
LUMINAIRE BODY	polycarbonate (PC)
WEIGHT (NET)	approx. 13,1 kg
POWER CONSUMPTION	approx. 65 W
USAGE	rocker switch (I/O)
TECHNOLOGY	single-pole secondary
BALANCE OF ARTICULATION JOINTS	pneumatic spring (weight compensation)
CLASS OF PROTECTION	II
NORMS	EN 60601-1
SPECIAL FEATURES	colour correction filter (4100 K), sterilisable grip
FASTENING	roller stand
ORDER NUMBER	D13523000 - pure white



LIGHT DISTRIBUTION

TECHNICAL DRAWING

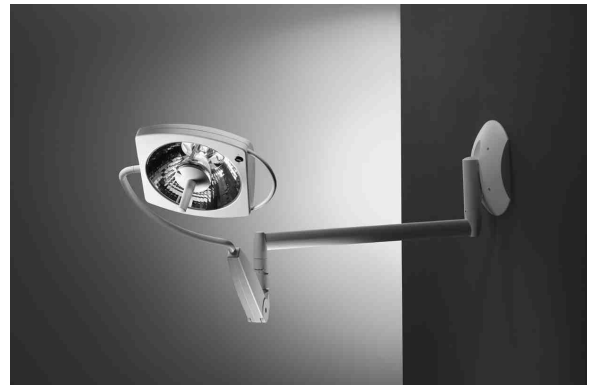


Dmed® xerus 50 W

TECHNICAL DATA

EXAMINATION LIGHTS

FITTED WITH	1 x halogen lamp QR-CB51 50 W - D99204000
LUMINOUS POWER	33 000 Lux / 1,0 m
ILLUMINANCEFIELD 1,0 M	Ø 19 cm
COLOUR TEMPERATURE	approx. 4100 K
WORK EQUIPMENT	electronic transformer
CONNECTED LOAD	230 V; 50 Hz
MAINS LEAD	direct power supply
LUMINAIRE BODY	polycarbonate (PC)
WEIGHT (NET)	approx. 17,5 kg
POWER CONSUMPTION	approx. 65 W
USAGE	rocker switch (I/O)
TECHNOLOGY	single-pole secondary
BALANCE OF ARTICULATION JOINTS	pneumatic spring (weight compensation)
CLASS OF PROTECTION	II
NORMS	EN 60601-1
SPECIAL FEATURES	colour correction filter (4100 K), sterilisable grip
FASTENING	wall mount
ORDER NUMBER	D13283000 - pure white



LIGHT DISTRIBUTION

TECHNICAL DRAWING

