

VISIANO 20-2 C T1

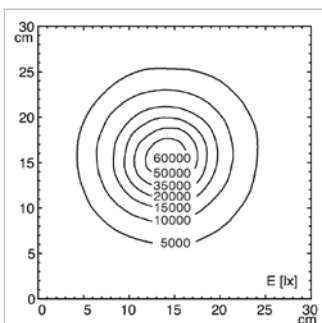
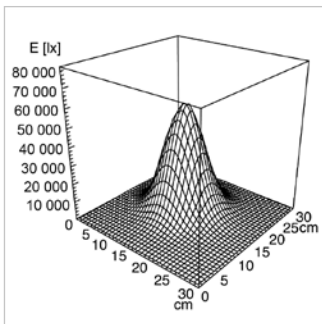
TECHNICAL DATA

FITTED WITH	1 x LED module
LUMINOUS POWER	60 000 lux / 0.5 m *
LIGHTING FIELD 0.5 m	Ø 21 cm *
COLOR RENDERING INDEX	CRI > 95
COLOR TEMPERATURE	3500 K & 4500 K *
OPERATION EQUIPMENT	Electronic converter
VOLTAGE	100-240 V; 50/60 Hz
CORD LENGTH	Direct power supply
LUMINAIRE BODY	Polycarbonate & Acrylonitrile-butadiene-styrene-copolymer (PC & ABS)
WEIGHT (NET)	9,0 kg
POWER CONSUMPTION	21 W
BALANCE OF ARTICULATION JOINTS	Spring
USAGE	Touch panel on light head
CLASS OF PROTECTION	I
PROTECTION RATING	IP 20
STANDARDS MET	EN 60601-1, EN 60601-2-41
SPECIAL FEATURES	2 color temperatures, 4 dimming levels, rotary joint (360° turnover axis)
MOUNTING	Ceiling mount, ceiling tube can be cut on site (length: 40-116 cm)
ACCESSORIES	Intermediate ceiling adapter
ORDER NUMBER	D15.450.000-00633104 - pure white

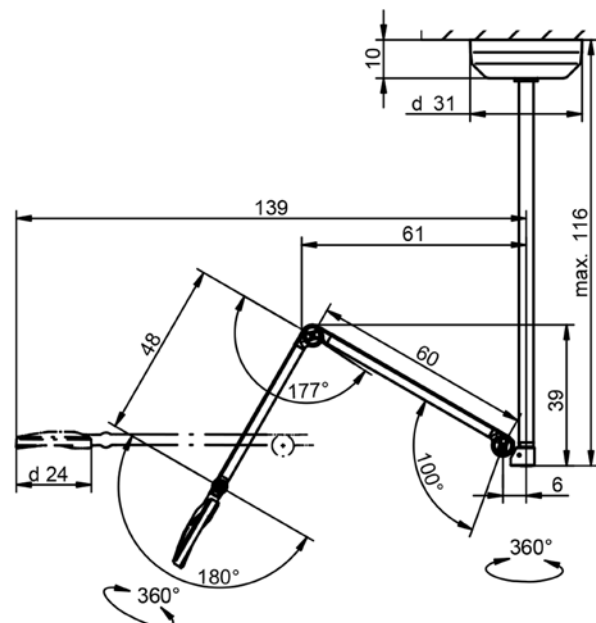
EXAMINATION LIGHTS



LIGHT DISTRIBUTION



TECHNICAL DRAWING



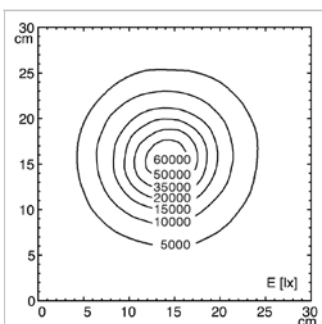
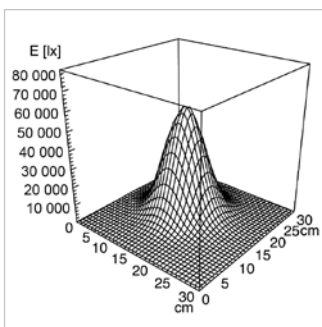
VISIANO 20-2 P TX

TECHNICAL DATA	
FITTED WITH	1 x LED module
LUMINOUS POWER	60 000 lux / 0.5 m *
LIGHTING FIELD 0.5 m	Ø 21 cm *
COLOR RENDERING INDEX	CRI > 95
COLOR TEMPERATURE	3500 K & 4500 K *
OPERATION EQUIPMENT	Electronic converter
VOLTAGE	100-240 V; 50/60 Hz
CORD LENGTH	1,8 m
LUMINAIRE BODY	Polycarbonate & Acrylonitrile-butadiene-styrene-copolymer(PC & ABS)
WEIGHT (NET)	2,0 kg
POWER CONSUMPTION	21 W
USAGE	Touch panel on light head
BALANCE OF ARTICULATION JOINTS	Spring
CLASS OF PROTECTION	II
PROTECTION RATING	IP 20
STANDARDS MET	EN 60601-1, EN 60601-2-41
SPECIAL FEATURES	2 color temperatures, 4 dimming levels, rotary joint (360° turn-over axis)
MOUNTING	Mounting pin (Ø 16 mm)
ACCESSORIES	Rolling floor stand, rail mount with removal guard, table clamp with removal guard, universal mount with removal guard, wall mount with removal guard
ORDER NUMBER	D15.451.000-00633107 - pure white - Euro D15.456.000-00678230 - pure white - UK

EXAMINATION LIGHTS



LIGHT DISTRIBUTION



TECHNICAL DRAWING

