



Low-height bed 5384

**Safe care
at every level**



Transforming a care room into a home
Völker provides a comprehensive range of solutions to create a care room that's a home from home: healthcare beds, furniture solutions and digital assistance systems.

Safety features for peace of mind

Low-height bed reduces risk of falls and injuries.

The physical limitations of those in need of care lead to various challenges as they go about their everyday lives. As people get older, strength, balance and mobility change, which can result in a loss of confidence and an increased risk of falling and injury. To make things easier and safer, elderly people (or their relatives) may decide that moving into a care facility is the best option. However, leaving their home behind also brings with it many changes. Therefore, a care room should radiate a home-from-home feeling, rather than be designed purely around the resident's safety.

The low-height bed 5384 combines safety and comfort with a homelike design. To minimise the risk of falls, the 5384 can be lowered to near-floor height. Greater proximity to the floor provides residents with a greater feeling of safety. And if they do happen to accidentally roll or fall out of bed, the minimal height of the fall can help prevent potential injuries. The fully adjustable 5384 also enables carers to perform their duties safely at any height – whether the bed is close to the floor, at the customised level for the resident to get out of bed, or at an ergonomic working height.

All benefits at a glance

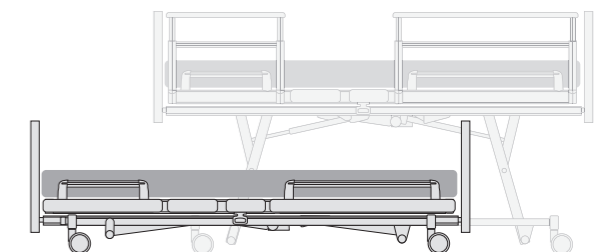
- ✓ Low-height feature
- ✓ Fully adjustable between 24 and 88 cm*
- ✓ Medical functions, such as a CPR lever on both sides
- ✓ Automatic position for getting out of bed with customisable bed height memory feature
- ✓ Maximum working load: 230 kg
- ✓ Moving side rails reduce the risk of getting body parts trapped
- ✓ Ergonomic lying position
- ✓ Integrated side rail elements stow away inside the lying surface providing carers with the proximity they need to work safely and ergonomically
- ✓ Central opening in side rails facilitates self-mobilisation
- ✓ Dynamically opening upper body section reduces pressure in the sitting position
- ✓ Narrow bed width: 98 cm (lying surface 90 cm)
- ✓ Optional 28.5 cm bed extension available



Proximity to the floor enables residents to feel safer and can minimise the severity of injuries in the event that they roll out of bed.



The underbed light on the 5384 (on option) provides additional safety at night.



* Depending on the type of castors.

Dynamic support

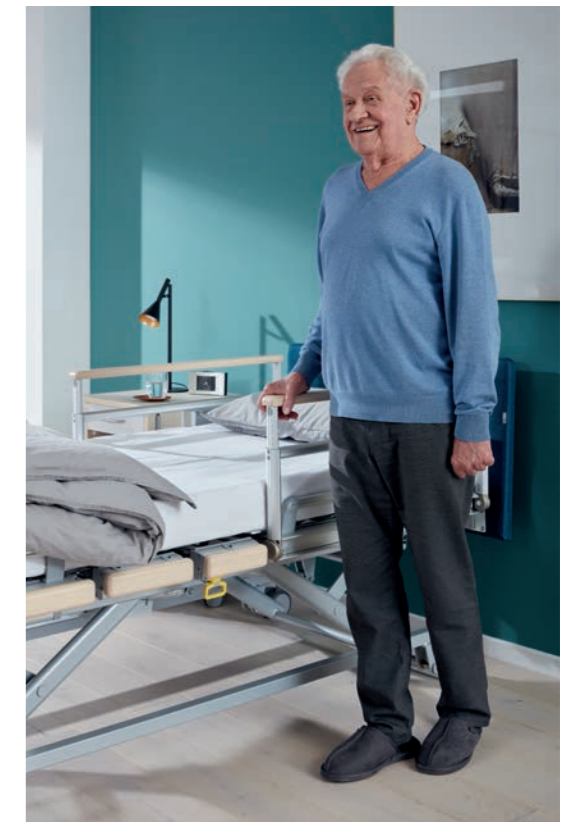
Encourages self-mobilisation and increases independence.

Maintaining residents' independence and minimising the risk of falling is one of the major challenges that carers frequently face. Residents experience the difficulties of reduced mobility on a daily basis – even holding on to things can require a lot of energy. Völker healthcare beds have therefore been designed to help them with self-mobilisation.

The low-height bed 5384 provides sturdy support with its unique combination of features: a central opening in the side rails to facilitate mobilisation, the independently adjustable side rail elements and the fully adjustable bed height. Additional support is provided by the fully customisable automatic setting that – at the touch of a button – moves the 5384 bed into a comfortable position to get out of.

Our self-mobilisation solutions can be tailored to the resident's individual needs, depending on their physical resources. Residents feel safer when they mobilise themselves, which gives them greater freedom to structure their own day and increases their quality of life.

The low position of the bed, combined with independently adjustable side rails, facilitates safe, ergonomic self-mobilisation.



Featuring a unique central opening, the Völker side rails can be electronically adjusted to the right height for the resident to get comfortably in and out of bed, thus creating a feeling of safety during self-mobilisation. This is a great benefit for all residents, including those who need a wheelchair or walker.

The sturdy side rails and footboard of the 5384 also provide support for residents when they are standing up. The ergonomic, genuine wood handrails have been specially designed to allow residents to grab them firmly or rest their lower arm on them.





Völker's patented side rails combine elegant design with versatility and first-class manufacturing standards. The rails can be adjusted to three different heights, giving residents a clear view and keeping them safe, when needed.

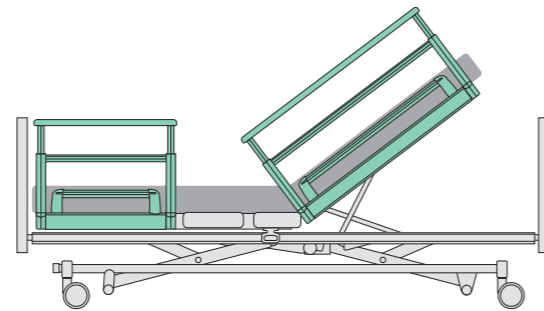


Reliable support enables maximum freedom

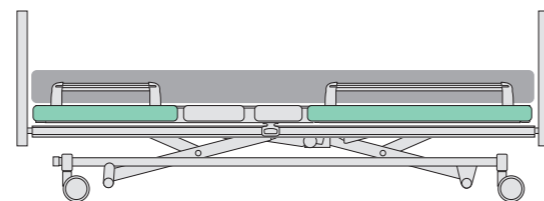
Greater flexibility thanks to the patented Völker side rail system.

All residents have their own specific needs in terms of protection, depending on their physical and cognitive limitations. Different limitations also mean that the safety of residents can be compromised in a variety of situations. This is why the Völker side rail system has been designed with versatility in mind.

The design of the side rails and the opening in the centre keeps residents safe while allowing them maximum freedom and giving carers a helping hand. Both sides of the bed are protected by a patented system of side rails, each segment of which can be operated separately. The side elements move with the bed when the head and foot sections are raised or lowered. This protects residents from accidentally falling out of their beds, irrespective of their position. It also prevents parts of the body from getting trapped.



The head and torso are protected at all times due to the moving side rail - even when the upper body section is raised.



When not in use, the side rails retract fully inside the lying surface.

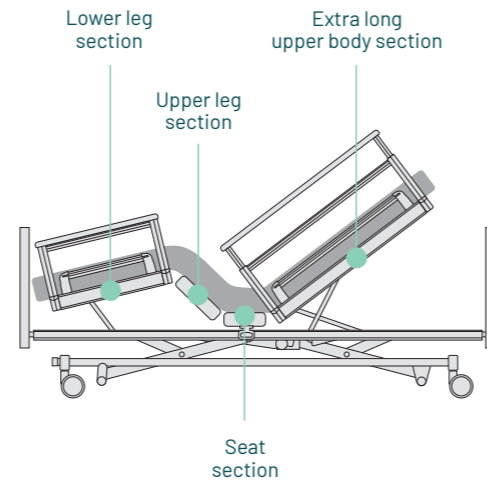


No risk of getting body parts trapped thanks to side rails that move with both the upper body and lower leg sections.

Support in any position

Freedom of movement and pressure relief thanks to the ergonomic lying surface system.

Residents spend a lot of time in bed – sleeping, resting or simply due to reduced physical mobility. As a result, they can be at an increased risk of developing bedsores. This risk can be reduced by regularly changing position and enabling freedom of movement in bed. Völker healthcare beds have been designed with this in mind and feature an ergonomic lying surface system. This is an ensemble of perfectly coordinated components: the adjustable 4-section frame, the lying surface and a high-quality Völker mattress.



The automatically adjusted EasyChair function on the 5384 ensures a comfortable sitting position.



All the electric features of the 5384 can be operated easily with the intuitive, ergonomic hand control. Equipped with a robust hook as standard, the control can be attached to the bed in multiple places.



Comfortable, pressure-relief sitting.

Whether you're sitting up or lying down, ergonomic support is important. Thanks to the dynamic upper body section, the seat area widens as the lying surface is brought into a sitting position. This has the advantage of reducing pressure in the hip area, enabling residents to sit up comfortably.

Carers can set the automatically adjustable EasyChair function so that residents can enjoy a particularly comfortable sitting position. The mattress also aligns itself perfectly to the new position of the lying surface as it is adjusted, which brings the additional benefit of reducing contact pressure.

Comfort for all residents, no matter how tall. The optional dynamic bed extension for the 5384 simply pulls out and extends the bed instantly by 28.5 cm.





The Völker Sensify bed sensors are simply clipped into the MiS[®] lying surface and connected to the radio receiver.

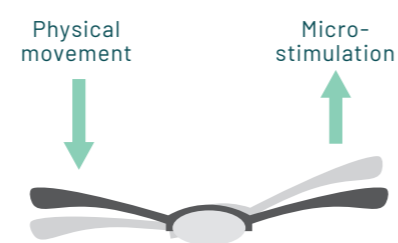


Learn more about the different applications of Sensify Assistance Systems in our videos.

Micro-stimulation for improved rest

We accept nothing less than premium comfort.

Relaxation and restful sleep are important for our health and quality of life, especially as we grow older. Völker healthcare beds are equipped with a micro-stimulation lying surface as standard, significantly increasing comfort in a recumbent position. The Micro-Stimulation System, or MiS[®], is a patented technology based on the principles of neuroscience. MiS[®] reacts to even the slightest of movements and transforms them into tactile stimuli that are relayed from the lying surface, through the mattress and back to the body. Experience in recent years has shown that such feedback can lead to improved perception of the body. The combination of lying surface and mattress may also reduce the risk of bedsores.¹



Tactile stimuli are transmitted back to the body even with minimum, barely perceptible physical movement, resulting in continuous feedback and micro-stimulation.

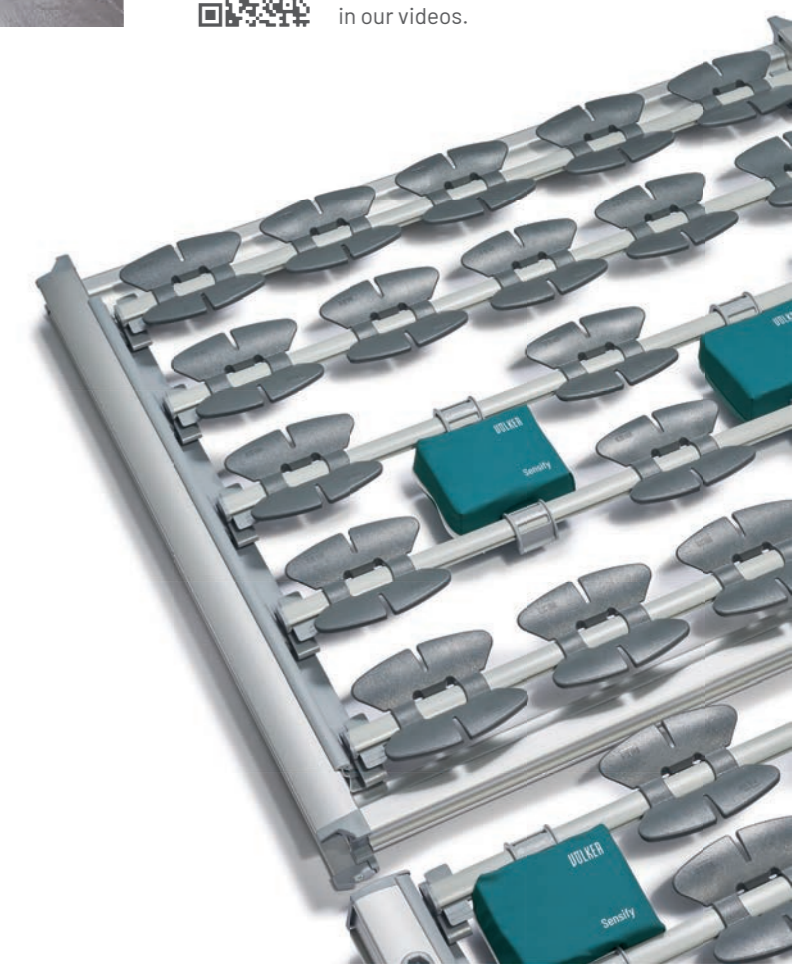
The open design of the MiS[®] lying surface allows the perfect circulation of air beneath the mattress and enables it to dry quickly after cleaning.

Assistance systems that give carers a helping hand

One system – combinable and extendable to suit your needs.

When residents leave their beds unnoticed – especially during the hours of darkness – they are at an increased risk of injury from falling. The optional Völker Sensify Assistance Systems can improve safety for residents and provide reliable support for carers.

Prevent up to 80% of falls and avoid unnecessary rounds by staff to check on residents. The sensor technology is installed without tools, electricity or cables. An additional advantage is that the radio receiver sends an instant message to your call system.



The healthcare bed – a key feature of the interior design

Home-from-home comfort meets performance.

Völker healthcare beds feature many practical functions that not only help residents but also take some strain off carers. However, there's more to a healthcare bed than its medical benefits. It is a place for relaxation – a key element within a care room and therefore an essential feature within the interior design.

The low-height feature of the 5384 transforms the care room into a special refuge. High-quality materials, together with a combination of timeless design and modern details, give the 5384 a particular sense of well-being.



A well-designed care room integrates the healthcare bed into the interior concept, rather than treating it as an element in its own right. The Völker 5384 looks perfectly at home in any room.



Everything single detail has been designed with comfort, quality and individuality in mind. Völker healthcare beds come in a wide selection of designs, finishes, colours, decors and materials.



All the materials that we work with comply with the highest standards. Our upholstery is extremely flame-retardant, easy to clean and developed for maximum hygiene.



Ergonomic care and improved proximity

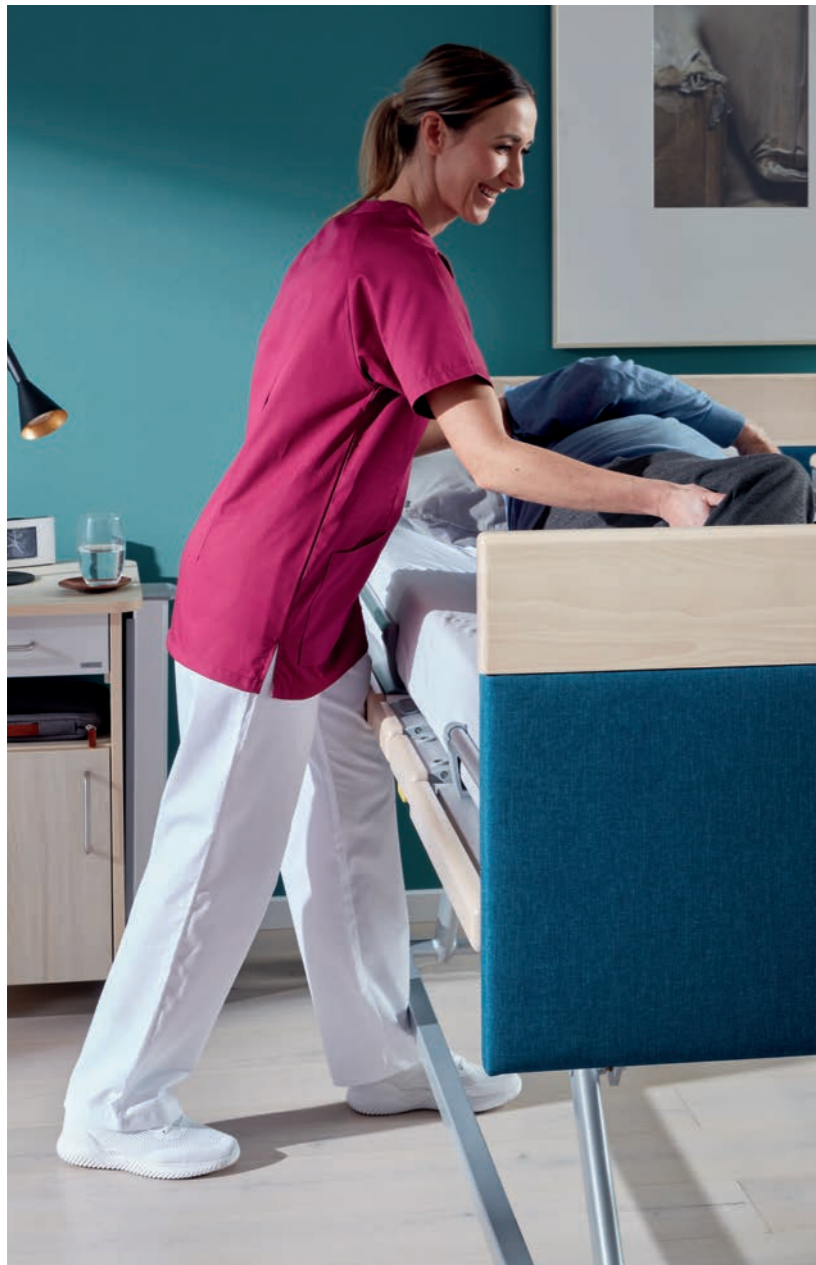
Appreciable relief during mobilisation.

A carer's day is structured around the needs of others due to their focus on residents and their specific needs. Many of carers' tasks are physically exerting and put a strain on the body. Bent postures and awkward positions that put a strain on the back can lead to backache and other pains.

Völker healthcare beds take some of the strain out of the difficult tasks that carers face on a daily basis. One key benefit is the fully adjustable height of the bed, which allows carers to work ergonomically. The uncluttered design of the base frame also means that carers have improved proximity to the resident. This enables carers to work with a healthier posture, depending on their particular needs.



It's these small details that make such a difference. Just once won't hurt... However, non-ergonomic postures are part and parcel of a carer's job and therefore a serious problem. Even when Völker's healthcare beds are in a low position, they still allow carers to adopt a healthy posture when carrying out bedside nursing duties.



Völker healthcare beds have been specifically designed to enable wheelchairs or walkers to be placed right next to the bed. This makes it easier for residents to move from the bed to the wheelchair, which also significantly facilitates the task of the carer.

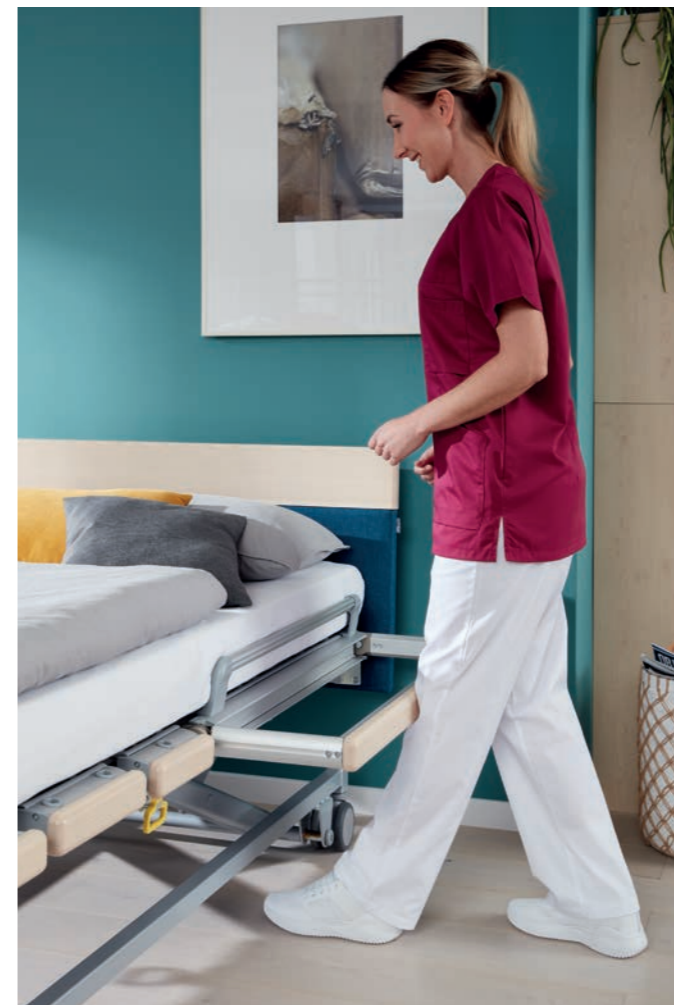
The fact that the side rails retract fully inside the lying surface means that the base frame on Völker healthcare beds is always open and uncluttered. In other words, this allows carers greater proximity so they can work without straining their back. The sturdiness of the 5384 also allows carers to lean safely on the bed, providing them with further support.



Trialled in hospitals, optimised for nursing care: the Völker 5384 features additional medical functions such as the Trendelenburg position and the reverse Trendelenburg position. Carers can bring the bed into either lockable position using the hand control. The CPR lever is always easily accessible in the event of an emergency, regardless of how high or low the bed is or the position of the side rails.



Völker's patented side rails pull out easily and slide back ergonomically inside the lying surface.



Simply ingenious: pulled out laterally, the side rails provide more space and comfort when needed.

Extra comfort – both day and night

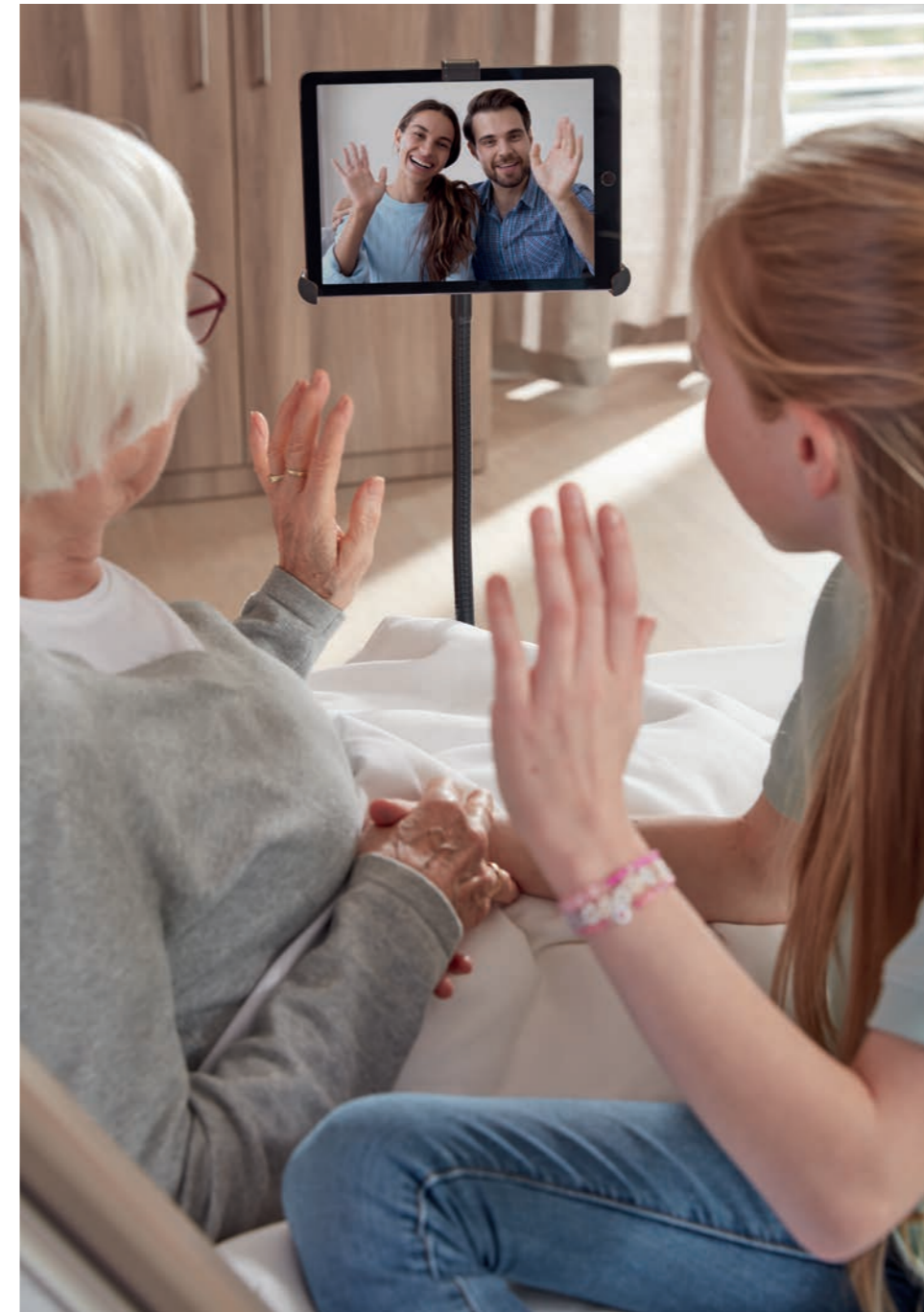
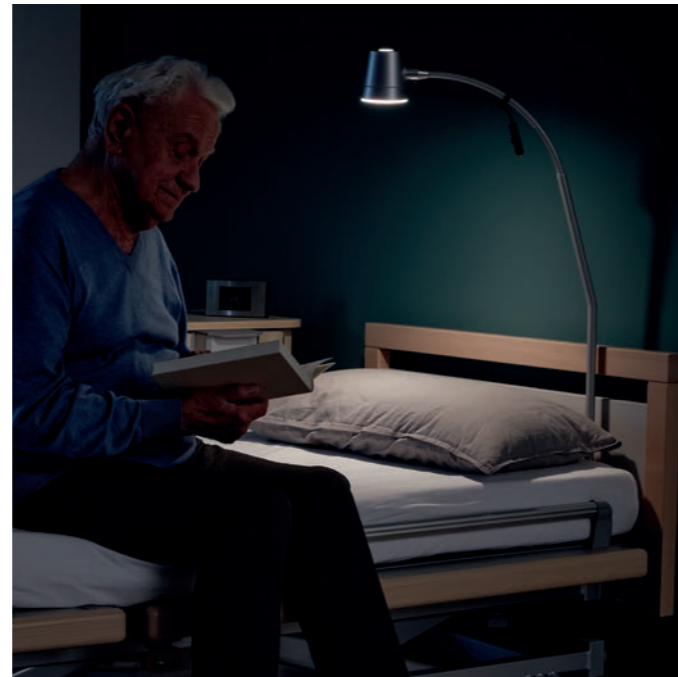
Giving everyone a helping hand.

Not only can accessories take some of the burden off carers' shoulders, but they can also improve quality of life for residents. The Maya lamp, for example, serves as a pleasant reading light, yet also provides valuable guidance in the dark. Tablet and smartphone holders allow residents to make phone calls, surf the net and stay in contact with friends and family – all from the comfort of their own bed.

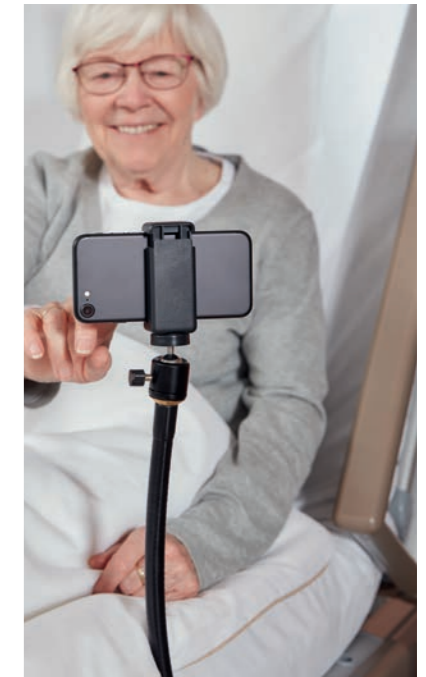
Explore our full range of accessories and choose what you need. All accessories can be retrofitted.



The Maya bedside lamp has been designed as a reading light and a night-light. Fully enclosed in its casing, the lamp is very easy to clean. A further advantage of the lamp is its compatibility with the Sensify light switch.



Smart holders for smart devices
Our tablet and mobile phone holders are particularly convenient accessories for residents who use digital devices.



Besides a wide range of accessories designed for comfort and convenience, the 5384 can also be enhanced with a range of medical accessories.

Homelike design combined with smart functionality

Völker furniture solutions: fully customisable to your needs.

How can you transform a care room into a home? Successfully designing a space where residents feel at home requires consideration of the room as a whole, rather than the individual elements.

Völker is a one-stop shop for fully integrated furniture solutions. Our range comprises a coordinated selection of healthcare beds, bedside cabinets, contract furniture and accessories so that individual elements can be combined to create a harmonious atmosphere. A variety of designs and colours enables you to plan an attractive interior that corresponds to your needs and preferences.



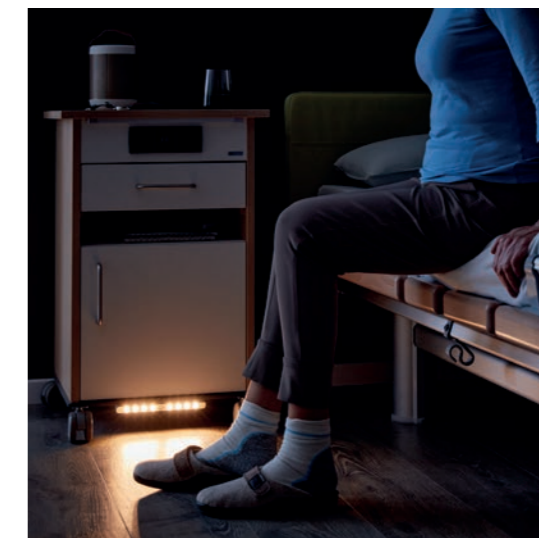
Völker's modular furniture range includes wardrobe, cupboard and shelf units that can be mixed and matched to suit the resident's requirements and the space available. A selection of coordinated tables and chairs is also available.



For additional table space over the bed, beside the bed or anywhere else in the room, the optional bedside tables for the Völker bedside cabinets and our Server RT-985 – a height-adjustable table on wheels – are great all-rounders.



Server RT-985



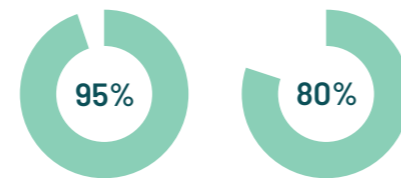
The P 941 4.0 bedside cabinet is extremely practical with its power points and USB sockets, while the underbody lighting and motion sensor also improves safety at night.

Focus on the future

Sustainable solutions, made in Germany.

At Völker, sustainability begins with the product development phase. This particular focus means that our products are at least 95% recyclable. The components that we need to manufacture our products are packaged in up to 80% recycled material. Another aspect of sustainability for us is ensuring that customers can buy the same products or replace parts on their existing products many years down the line.

We source our materials based on their durability, which means that wood and lightweight aluminium are the primary materials we use. When we do have to integrate plastic into our products, we insist on high-quality technical materials that are not only hard-wearing, but also look and feel good – especially when they are visible.



Recyclability of our products

Reuse quota of packaging



We have been driven by added value, sustainability and safety since 1912, which is why product development and manufacturing is based in Germany. Many of our customers appreciate the fact that we produce locally, and some even come to Witten to see our quality standards in action.



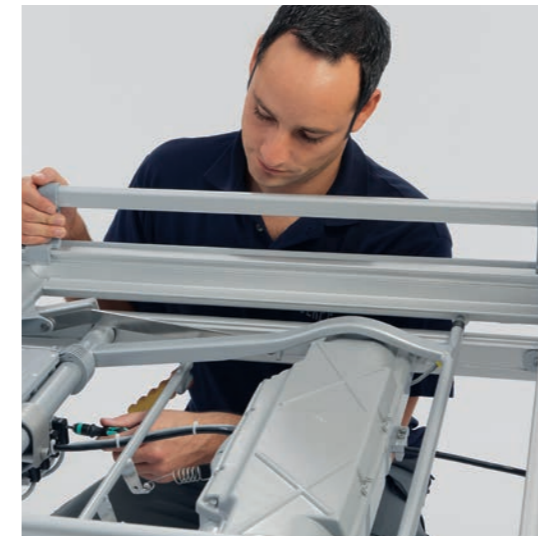
A partner you can rely on

Maintaining safety and value.

We're never far away. Servicing, repairs and maintenance – you're in safe hands with our maintenance team and original Völker parts.

Why compromise on quality when it comes to technical inspections, repairs and paperwork? We not only ensure that your assets maintain their value, but also allow you to get many years of reliable service out of them. The team at Völker can also take care of many of the tasks and associated paperwork needed for compliance with the MDR (Medical Device Regulation).

We offer a range of service packages tailored to the needs of our customers, including Technical Inspection, Technical Inspection Plus, and Full Repair and Maintenance.



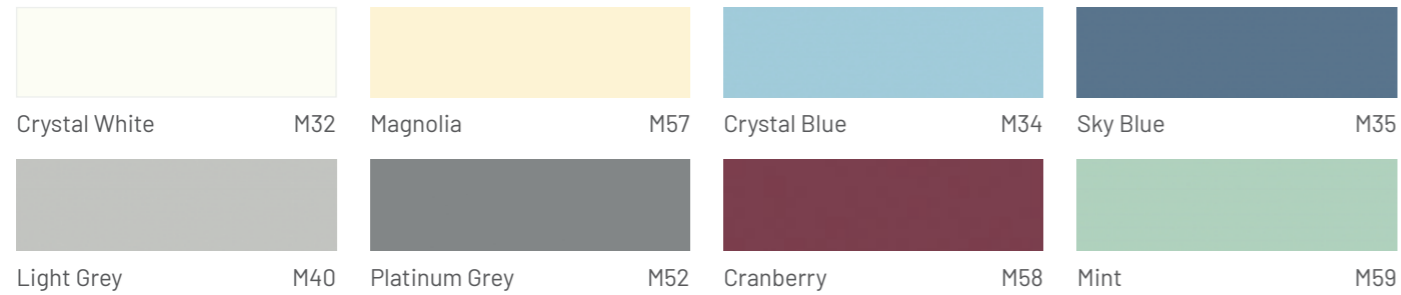
We are your one-stop partner for expert advice, reliable maintenance of your assets and original spare parts. Our team is available for help and support around the clock.



Wood decor



Solid colours



Upholstery categories

Other colours can be found in our Coordinated Ambiances section.

Fabric:



The Comino X collection



The Tiba collection

Imitation leather:



The Solo collection



ANTI-MICROBIAL



EXTREMELY FLAME-RETARDANT

Headboard and footboard designs

Wooden designs:



Design T



Design S



Design FS

Upholstered designs:



Design P



Design SP

Accessories

Please contact our customer services team or a Völker representative for an overview of all our accessories.

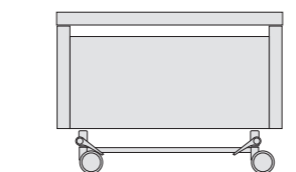
Configuration

5384

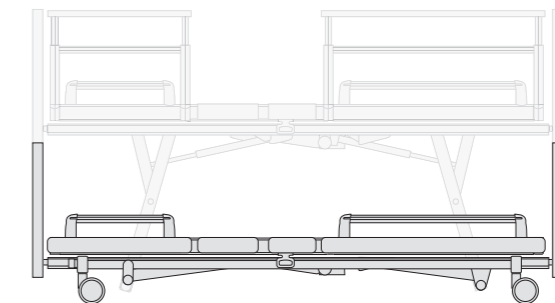
Design	
Design S round profile	✓
Design FS square profile (only available with 34 cm side rails)	○
Design T (only available with 34 cm side rails)	○
Design P*	○
Design SP	○
Width of lying surface	
90 cm	✓
Length of lying surface	
200 cm	✓
Lying surface	
MiS® Micro-Stimulation System¹	✓
Völker Stream	○
Völker HPL	○
Height of the side rail (dependent upon the lying surface)	
Moving split side rail: 34 cm	✓
Moving split side rail: 43.5 cm	○
Controls	
Hand control with all function lockout, longitudinal	✓
Castors	
Twin castors, 4 × 100 mm Ø – Single castors, 2 × 3 inch Ø – head end	✓
Twin castors, 4 × 100 mm Ø	○
Linea twin castors, 4 × 125 mm Ø	○
Integral S single castors, 4 × 125 mm Ø	○
Integral S single castors, 4 × 150 mm Ø	○
Additional configuration options	
CPR quick lowering	✓
Underbed light	○
Linen holder	○
Dynamic bed extension	○
Accessory rail with universal fixation belt holder on both sides	○
Wall protector wheels on head end, vertical	○

✓ Standard ○ Optional * Cannot be combined with the dynamic bed extension and moving split side rails 43.5 cm

Dimensions



87.6 cm
97.9 cm



203.7 cm

79 cm - 88 cm*

24 cm - 33 cm*

* Dependent on chosen model

24/7

**ALWAYS
AVAILABLE**



**FOCUS
ON SERVICE**



**HIGH-QUALITY
MATERIALS**



**CERTIFIED
SUSTAINABILITY**

Head office

Völker GmbH

Wullener Feld 79
58454 Witten
Germany
+49 (0) 2302 960 960

Völker Schweiz GmbH

Moosstrasse 2
6003 Luzern
Switzerland
+41 (0) 44 563 1939

Völker Medizinprodukte GmbH

Kaufmannstraße 14
6020 Innsbruck
Austria
+43 (0) 1 205 8365

Voelker France SAS

27 Rue Maurice Flandin
69444 Lyon Cedex 03
France
+33 (0) 18 288 1530

Voelker Nederland B.V.

Laan 21
1741 EA Schagen
Netherlands
+31 (0) 20 808 1603

General enquiries

info@voelker.de
+49 (0) 2302 960 960

Sales / Service / Replacement parts

kundenservice@voelker.de
+49 (0) 2302 960 9630