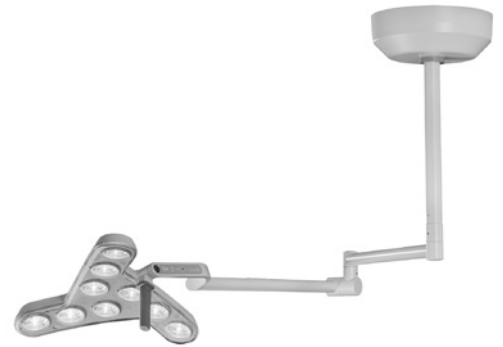


# TRIANGO 100 C

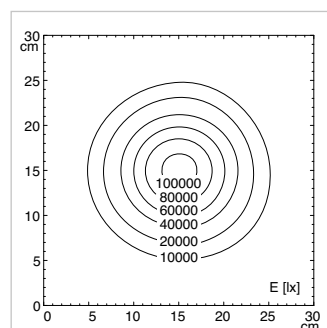
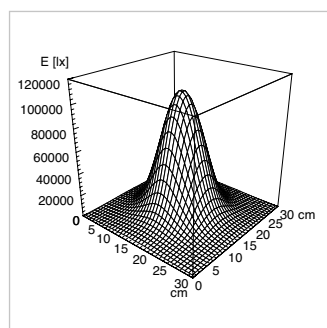
TECHNICAL DATA	
FITTED WITH	1 x LED module
LUMINOUS POWER	100 000 lux / 1.0 m *
COLOR RENDERING INDEX	Ra > 95
DEPTH OF ILLUMINATION	80 cm
OPERATION EQUIPMENT	Electronic converter
VOLTAGE	100 – 240 V; 50/60 Hz
CORD LENGTH	Direct power supply
LUMINAIRE BODY	Polyamide (PA)
WEIGHT (NET)	15.9 kg
POWER CONSUMPTION	40 W
USAGE	Touch panel on cardanic system
TECHNOLOGY	Single-pole secondary
BALANCE OF ARTICULATION JOINTS	Spring (weight compensation)
CLASS OF PROTECTION	I
PROTECTION RATING	IP 43 (luminaire head)
STANDARDS MET	EN 60601-1, EN 60601-2-41
SPECIAL FEATURES	Diamond optics, sterilizable handle, maintenance-free, high quality arm system, dimmable
MOUNTING	Ceiling mount, ceiling tube can be cut on site (length: 25-120 cm)
ACCESSORIES	Sterilizable handle, intermediate ceiling adapter

## TREATMENT LIGHT



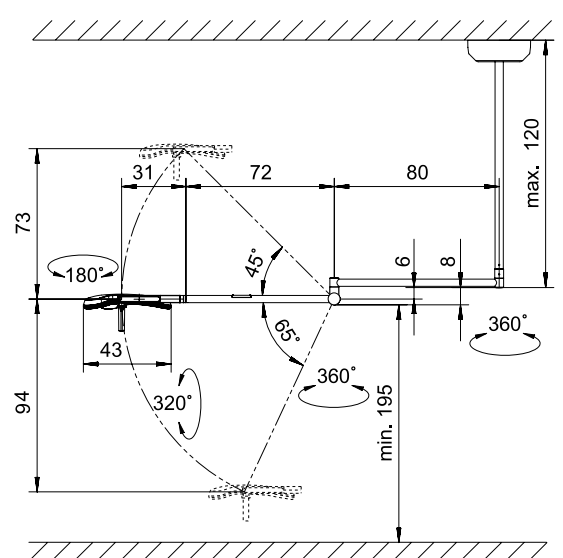
	lighting field / 1.0 m	lighting field / 1.0 m	color temperature	color temperature	dimmable	Order No.
	fixed value 18 cm	changeable value 18 / 23 / 28 cm	fixed value 4300 K *	changeable value 3700 / 4300 / 4700 K *		
<b>TRIANGO 100-1 C</b>	x				x	D15.884.000-00802695
<b>TRIANGO 100-3 C</b>	x			x	x	D15.885.000-00803113
<b>TRIANGO Fokus 100-1</b>		x	x		x	D15.886.000-00803685
<b>TRIANGO Fokus 100-3 C</b>		x		x	x	D15.887.000-00803686
<b>TRIANGO Endo 100-1 C</b>	x		x		x Endo mode	D15.972.000-00803704

## LIGHT DISTRIBUTION



valid for Triango 100 with fixed lighting field

## TECHNICAL DRAWING



measurements in centimeters \* -10% / +20% tolerance

# TRIANGO 100 W

## TECHNICAL DATA

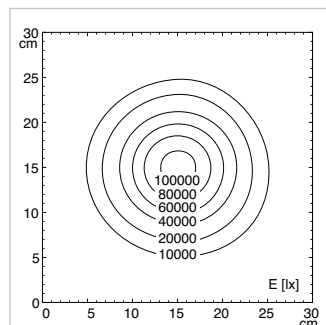
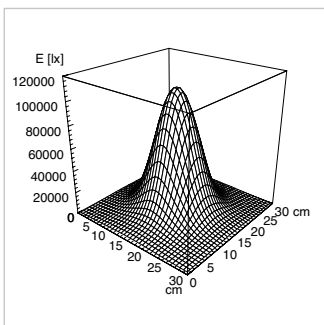
FITTED WITH	1 x LED module
LUMINOUS POWER	100 000 lux / 1.0 m *
COLOR RENDERING INDEX	Ra > 95
DEPTH OF ILLUMINATION	80 cm
OPERATION EQUIPMENT	Electronic converter
VOLTAGE	100-240 V; 50/60 Hz
CORD LENGTH	Direct power supply
LUMINAIRE BODY	PA
WEIGHT (NET)	15.3 kg
POWER CONSUMPTION	40 W
USAGE	Touch panel on cardanic system
TECHNOLOGY	Single-pole secondary
BALANCE OF ARTICULATION JOINTS	Spring (weight compensation)
CLASS OF PROTECTION	I
PROTECTION RATING	IP 43 (luminaire head)
STANDARDS MET	EN 60601-1, EN 60601-2-41
SPECIAL FEATURES	Diamond optics, sterilizable handle, maintenance-free, high quality arm system, dimmable
MOUNTING	Wall mount
ACCESSORIES	Sterilizable handle

## TREATMENT LIGHT



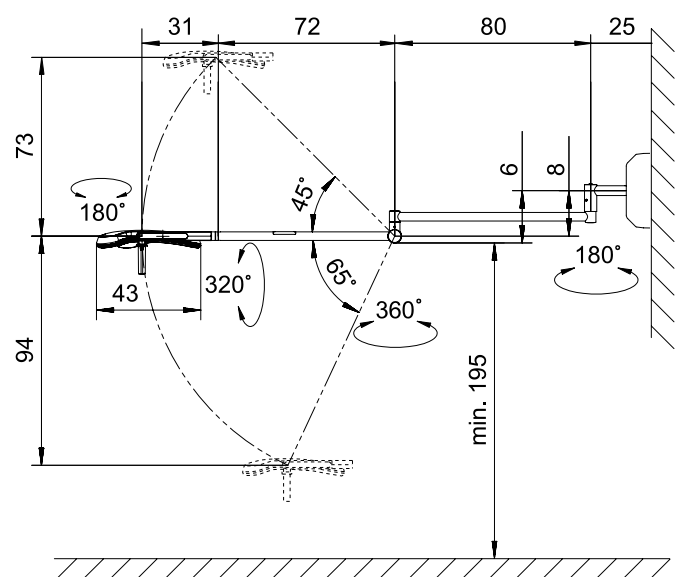
	lighting field / 1.0 m fixed value 18 cm	lighting field / 1.0 m changeable value 18 / 23 / 28 cm	color temperature fixed value 4300 K *	color temperature changeable value 3700 / 4300 / 4700 K *	dimmable	Order No.
<b>TRIANGO 100-1 W</b>	x		x		x	D15.888.000-00803663
<b>TRIANGO 100-3 W</b>	x			x	x	D15.889.000-00803114
<b>TRIANGO Fokus 100-1 W</b>		x	x		x	D15.890.000-00803687
<b>TRIANGO Fokus 100-3 W</b>		x		x	x	D15.891.000-00803688
<b>TRIANGO Endo 100-1 W</b>	x		x		x Endo mode	D15.973.000-00803706

## LIGHT DISTRIBUTION



valid for Triango 100 with fixed lighting field

## TECHNICAL DRAWING



# TRIANGO 100 F

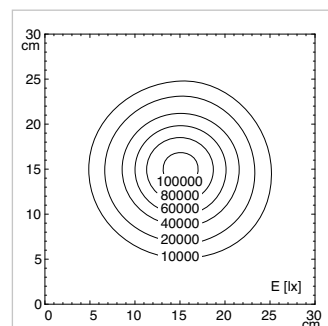
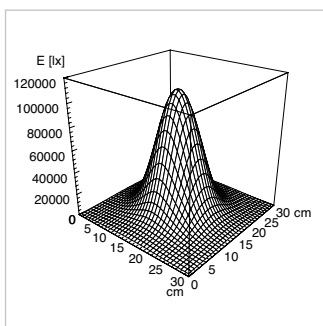
TECHNICAL DATA	
FITTED WITH	1 x LED module
LUMINOUS POWER	100 000 lux / 1.0 m *
COLOR RENDERING INDEX	Ra > 95
DEPTH OF ILLUMINATION	80 cm
OPERATION EQUIPMENT	Electronic converter
VOLTAGE	100-240 V; 50/60 Hz
CORD LENGTH	3 m
LUMINAIRE BODY	PA
WEIGHT (NET)	20.0 Kg
POWER CONSUMPTION	40 W
USAGE	Touch panel on cardanic system
TECHNOLOGY	Single-pole secondary
BALANCE OF ARTICULATION JOINTS	Spring (weight compensation)
CLASS OF PROTECTION	I
PROTECTION RATING	IP 43 (luminaire head)
STANDARDS MET	EN 60601-1, EN 60601-2-41
SPECIAL FEATURES	Diamond optics, sterilizable handle, maintenance-free, high quality arm system, dimmable
MOUNTING	Wall mount
ACCESSORIES	Sterilizable handle

## TREATMENT LIGHT



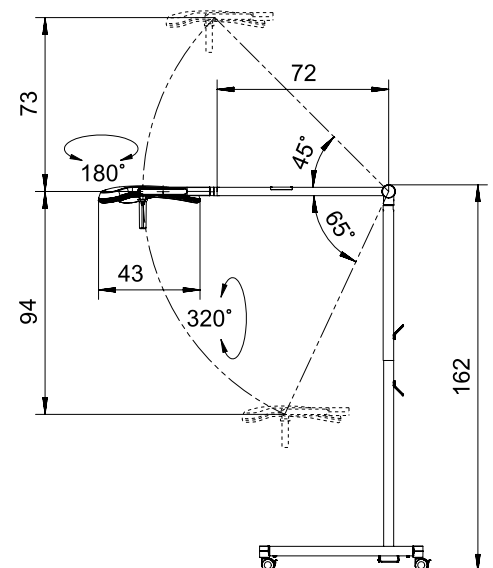
	lighting field / 1.0 m	lighting field / 1.0 m	color temperature fixed value	color temperature changeable value	dimmable	Order No.
	fixed value 18 cm	changeable value 18 / 23 / 28 cm	4300 K *	3700 / 4300 / 4700 K *		
<b>TRIANGO 100-1 F</b>	x		x		x	D15.923.000-00803670 - CH D15.892.000-00803664 - SCHUKO D15.911.000-00803665 - UK
<b>TRIANGO 100-3 F</b>	x			x	x	D15.924.000-00803671 - CH D15.893.000-00803115 - SCHUKO D15.912.000-00803187 - UK
<b>TRIANGO Fokus 100-1 F</b>		x	x		x	D15.925.000-00803698 - CH D15.894.000-00803689 - SCHUKO D15.913.000-00803700 - UK
<b>TRIANGO Fokus 100-3 F</b>		x		x	x	D15.926.000-00803699 - CH D15.895.000-00803690 - SCHUKO D15.914.000-00803188 - UK
<b>TRIANGO Endo 100-1 F</b>	x		x		x Endo mode	D15.978.000-00803711 - CH D15.974.000-00803707 - SCHUKO D15.975.000-00803708 - UK

## LIGHT DISTRIBUTION



valid for Triango 100 with fixed lighting field

## TECHNICAL DRAWING



measurements in centimeters \* -10% / +20% tolerance

# TRIANGO 100 F



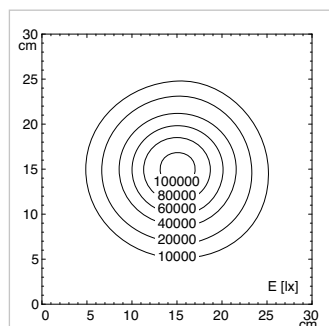
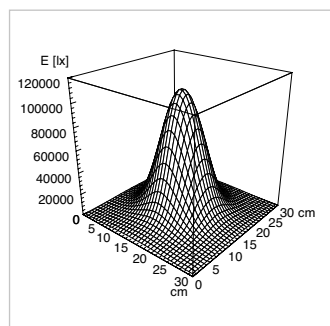
TECHNICAL DATA	
FITTED WITH	1 x LED module
LUMINOUS POWER	100 000 lux / 1.0 m *
COLOR RENDERING INDEX	Ra > 95
DEPTH OF ILLUMINATION	80 cm
OPERATION EQUIPMENT	Electronic converter
VOLTAGE	100-240 V; 50/60 Hz
CORD LENGTH	3 m
LUMINAIRE BODY	PA
WEIGHT (NET)	32 kg
POWER CONSUMPTION	40 W
USAGE	Touch panel on cardanic system
TECHNOLOGY	Single-pole secondary
BALANCE OF ARTICULATION JOINTS	Spring (weight compensation)
CLASS OF PROTECTION	I
PROTECTION RATING	IP 43 (luminaire head) IP 20 (battery pack)
STANDARDS MET	EN 60601-1, EN 60601-2-41
SPECIAL FEATURES	Diamond optics, sterilizable handle, maintenance-free, high quality arm system, dimmable
MOUNTING	Wall mount
ACCESSORIES	Sterilizable handle

## TREATMENT LIGHT



	lighting field / 1.0 m fixed value 18 cm	lighting field / 1.0 m changeable value 18 / 23 / 28 cm	color temperature fixed value 4300 K *	color temperature changeable value 3700 / 4300 / 4700 K *	dimmable	Order No.
<b>TRIANGO 100-1 F</b>	<b>x</b>		<b>x</b>		<b>x</b>	D16.224.000 - CH D16.222.000 - SCHUKO D16.226.000 - UK
<b>TRIANGO Fokus 100-3 F</b>		<b>x</b>		<b>x</b>	<b>x</b>	D16.225.000 - CH D16.223.000 - SCHUKO D16.231.000 - UK

## LIGHT DISTRIBUTION



valid for Triango 100 with fixed lighting field

## TECHNICAL DRAWING

