

USER MANUAL



THREE-SECTIONED EXAMINATION TABLE

For models
010-8351, 011-8351

NOTE!

**The operator must read the user manual
carefully BEFORE the product is used,
to avoid unnecessary risks to the patient and operator.**

TABLE OF CONTENTS

Foreword

Warranty

Important information

1. Function Description

1.1 General description

2. Operation

2.1 When the patient is being seated

2.2 Connection

2.3 Height adjustment

2.4 Adjusting the backrest

2.5 Adjusting the Trendelenburg position

2.6 Adjusting the leg section

2.7 Replacing the paper roll

2.8 Paper dispenser

2.9 The function of the castors

3. Maintenance & Cleaning

3.1 Routine check-ups

3.2 Cleaning

3.3 Lubrication scheme

3.4 Spare parts, hydraulic

3.5 Spare parts, electric

3.6 Accessories

3.7 Solutions for lubrication, cleaning and disinfecting

4. Technical specification

4.1 Dimensions

4.2 Motors and control units

4.3 Battery backup

4.4 Labels

5. EU-Declaration of Conformity

6. Contact details

FOREWORD

Welcome as the owner of a product manufactured by Sjöbloms Sjukvårdsutrustning AB. We hope that you will be pleased and satisfied with our quality product.

If a problem should arise with this or any of our products, you are always welcome to contact us, and our service department will assist you with the expertise needed to solve the problem.

The user manual contains all the information needed to use, maintain and service the product. The document is continuously updated as the products are modified. Therefore we reserve against possible changes in the user manual.

WARRANTY

Sjöbloms provides a two-year warranty for material, design and manufacturing defects, provided the products are not subjected to tampering or excessive wear. For the guarantee to apply, the product must have been used in accordance with the user manual, and the maintenance performed as specified.

IMPORTANT INFORMATION

This product is intended for professional medical use. The user manual should be read carefully before using the product, to avoid unnecessary risks for the patient and operator.

The user manual contains warnings where there is a risk of personal injury, which should be noted. Improper handling can be fatal.

A warning triangle is shown where particularly important information can be found.



Warning triangle

1. FUNCTIONAL DESCRIPTION

This product is meant for professional use in health care, for examination of the patient.

It is designed to be a functional and user-friendly tool for the operator and patient.



Note that the product must only be used by competent health professionals who read the user manual, for correct handling.

General description

3-sectioned examination table, electrically or hydraulically adjustable, chromium-plated or coated all-welded steel tube chassis. Backrest and Trendelenburg adjusted by gas spring. The cushions are stuffed with foamed plastic and upholstered with imitation leather.

125mm swivel central-locking castors. Various accessories such as neck pillow, armrests etc. are also available.

2. OPERATION

2.1 When the patient is being seated



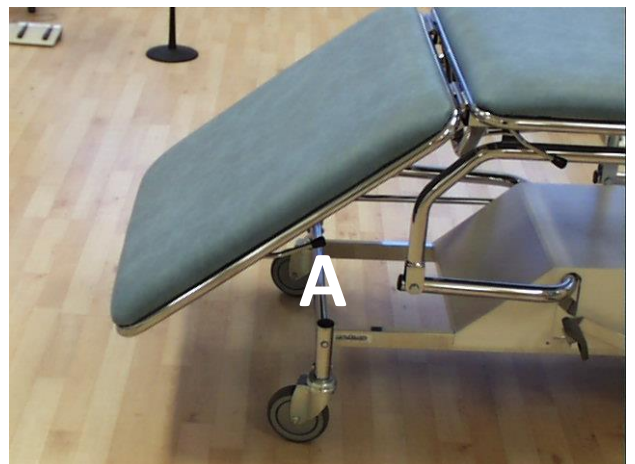
For maximum safety, it is important that the staff help the patient to sit correctly in the seat. This also includes the placement of the chair.

The castors must be locked when a patient is on the chair.

Have the patient sit where the arrow shows.

If the chair is equipped with armrests, fold away one of them so that the patient may be seated correctly.

The patient is to get on and off the chair from the side.



Be aware of clothes getting stuck on the chassis' castor tube (A).



The patient must not sit on the foot or head end side.

Misuse causes a risk of tipping over.

2.2 Connection

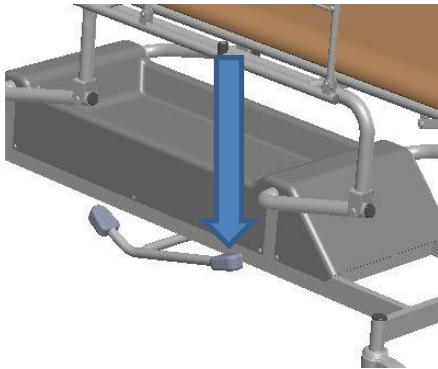
The contact should be connected to a grounded 230V outlet. The gynecology chair is now ready for use.

2.3 Height adjustment

Hydraulic

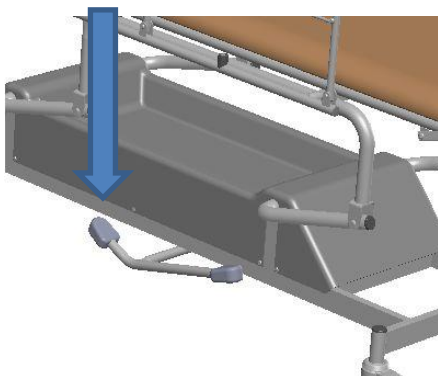
To raise the product

Pump the longer part of the pedal to raise the table to the desired height.



To lower the product

Press and hold the shorter part of the pedal to lower the table to a desired height.



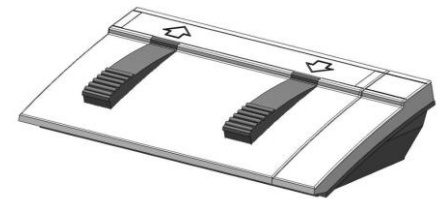
Electric, hand control (standard)



Follow the symbols and arrows to regulate the couch.



Electric, foot control (optional)



Follow the symbols and arrows to regulate the couch.



Ensure that no unauthorized persons are in the couch's working range, as a pinch hazard exists when raising and

2.4 Adjusting the backrest

Hydraulic / gas spring

Raising the backrest

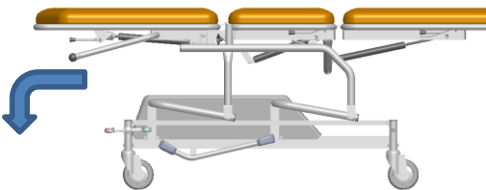
Press at least one of the handles positioned on the side of the backrest.



The gas spring helps to raise the backrest (variably adjustable).

Lowering the backrest

Press the handle again while pushing down the backrest.



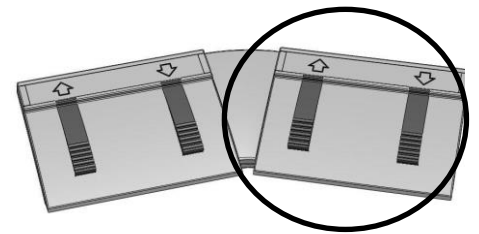
Ensure that no unauthorized persons are in the couch's working range, as a pinch hazard exists when raising and lowering the product.

Electric, hand control (standard)



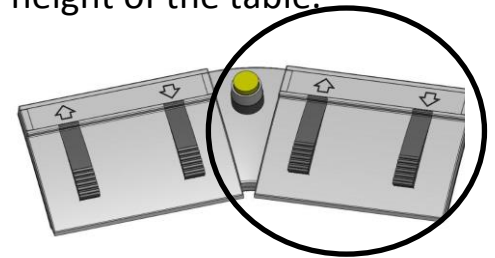
Follow the symbols and arrows to regulate the couch.

Elektric, foot control (optional)



For exam table with two motors: The right pair regulates the backrest.

The left pair regulates the height of the table.



For exam table with three motors: The right pair regulates the backrest and/or the Trendelenburg position. Press the middle switch to change between the two functions.

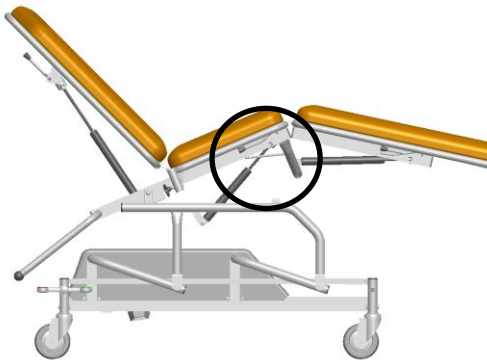
The left pair regulates the height of the table.

2.5 Adjusting the Trendelenburg position

Hydraulic/gas spring

Trendelenburg/seat position

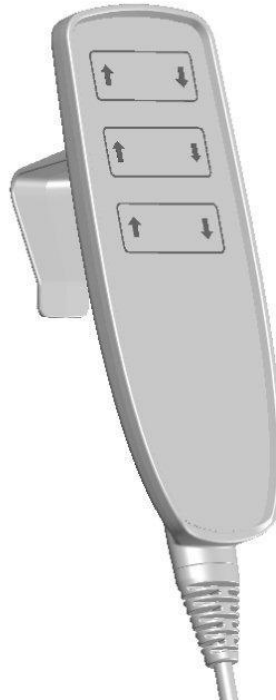
Press one of, or both, the handles (cirkeln).



The gas spring helps adjust the tables' Trendelenburg function.

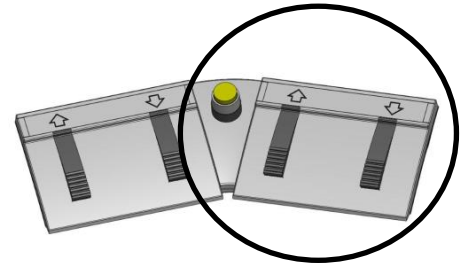
To lower the Trendelenburg position, press the handle again while pressing down the table top.

Electric, hand control (standard)



Follow the symbols and arrows to regulate the couch.

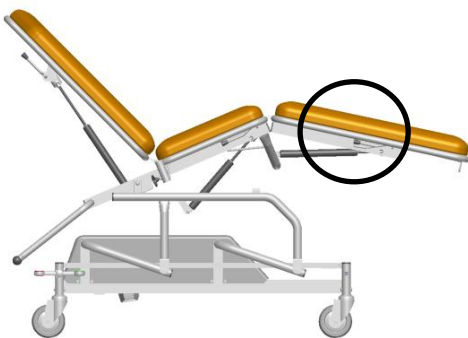
Electric, foot control (optional)



The right pair regulates the backrest and/or the Trendelenburg position. Press the middle switch to change between the two functions.

The left pair regulates the height of the table.

2.6 The leg section



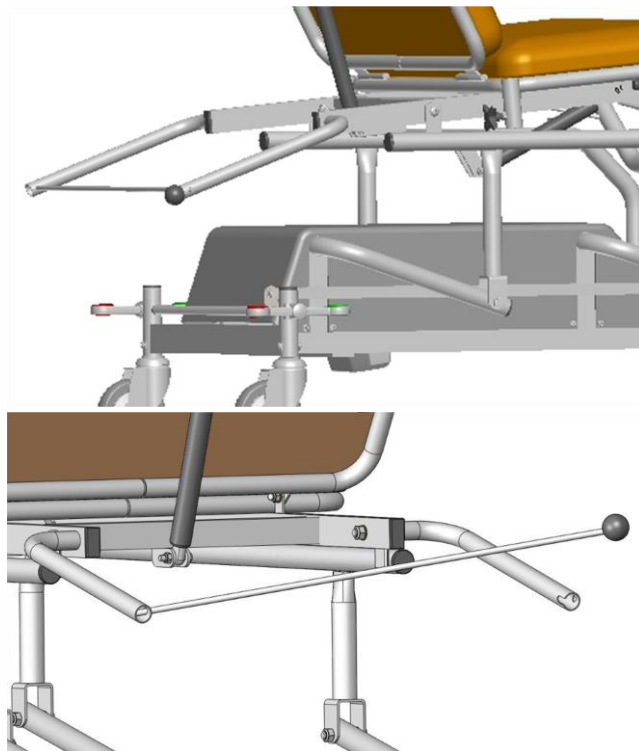
Adjust the same way as the seat section. The handles are placed on the side of the exam table.



Ensure that no unauthorized persons are in the couch's working range, as a pinch hazard exists when raising and lowering the product.

2.7 Replacing the paper roll

- a) Unscrew the black ball.
- b) Push the metal rod to the left.
- c) Pull the rod gently towards you until it comes loose on the right side.
- d) Pull the rod gently to the right. The rod is now loose and you can put on a new paper roll.
- e) Put the rod back on the left side.
- f) Put the rod back on the right side, in the score.
- g) Push the rod to the right.
- h) Screw the ball tight again.



2.8 Paper-holder



The paper-holder is located under the foot pad at the short-end side. Flip the paper-holder open and pull out new paper. Cover the table with the paper.

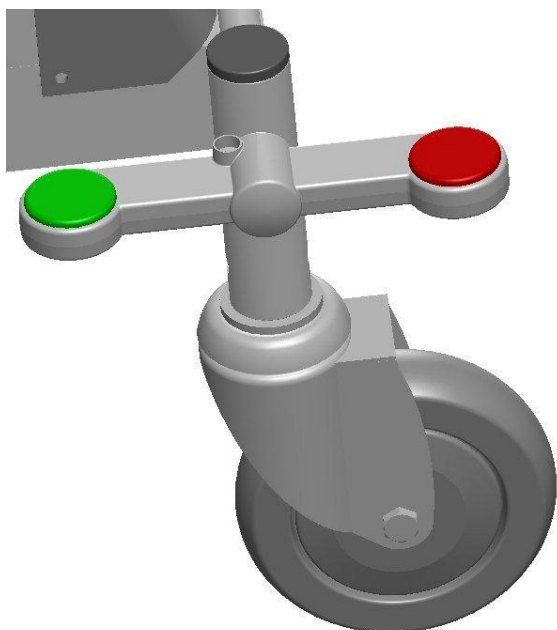
Fix the paper into place by pressing down the tear-off edge. Tear off the old paper, and the table is ready to be used again.

2.9 The function of the castors

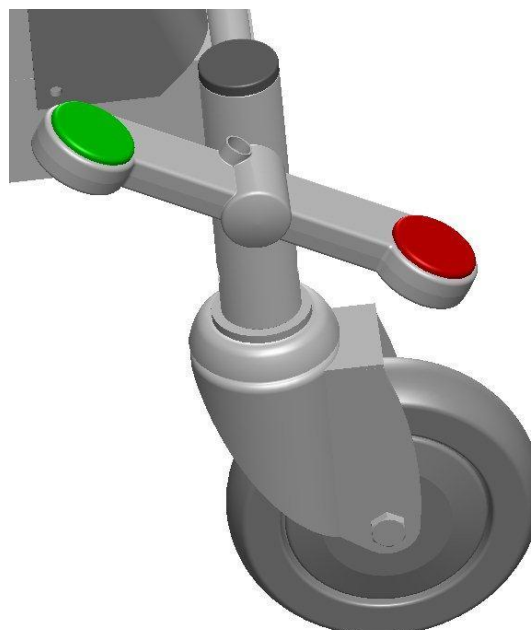
The 3-sectioned table is equipped with 125 mm central-locking castors.

Central-locking castors

Free castors



Braked castors



3. MAINTENANCE & CLEANING

3.1 Routine check-ups

Routine check-ups should be made to ensure proper functionality.



Important!

Failure to perform the following routine can cause the patient and/or operator to be exposed to unnecessary risks and the couch may have a reduced life expectancy. Please check all functions and parts on a regular basis.

Check the following:

- Any unusual sounds.
- Gas spring functions.
- Castors and castor locking mechanism.
- On electric tables:
 - Damages to electric cables.
 - The motor function.
- That joints and fittings are lubricated according to the lubrication chart.

3.2 Cleaning

Cleaning artificial leather

Water and a mild soap solution is recommended.

Disinfection

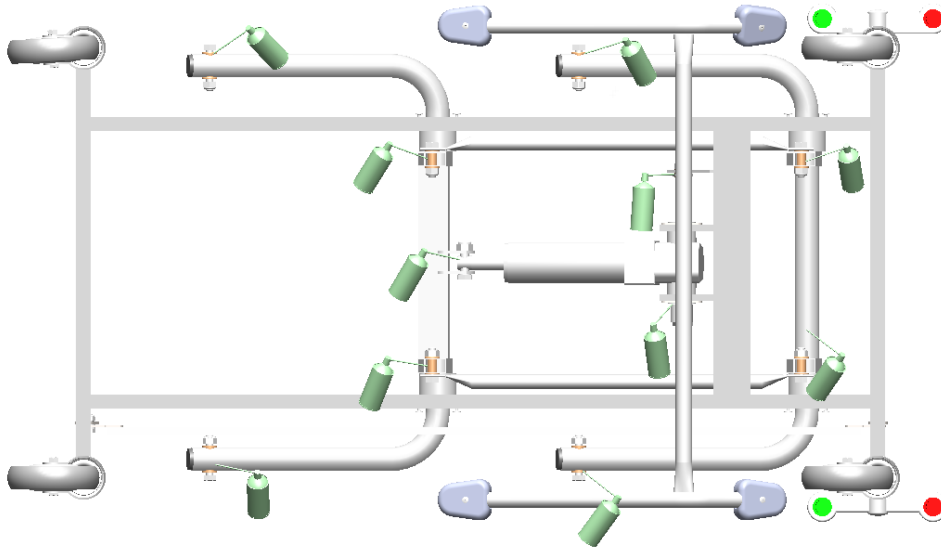
If the product needs to be disinfected, use a diluted alcohol solution. Too strong an alcohol solution can have a drying effect and the imitation leather may deteriorate and crack.

Chlorine

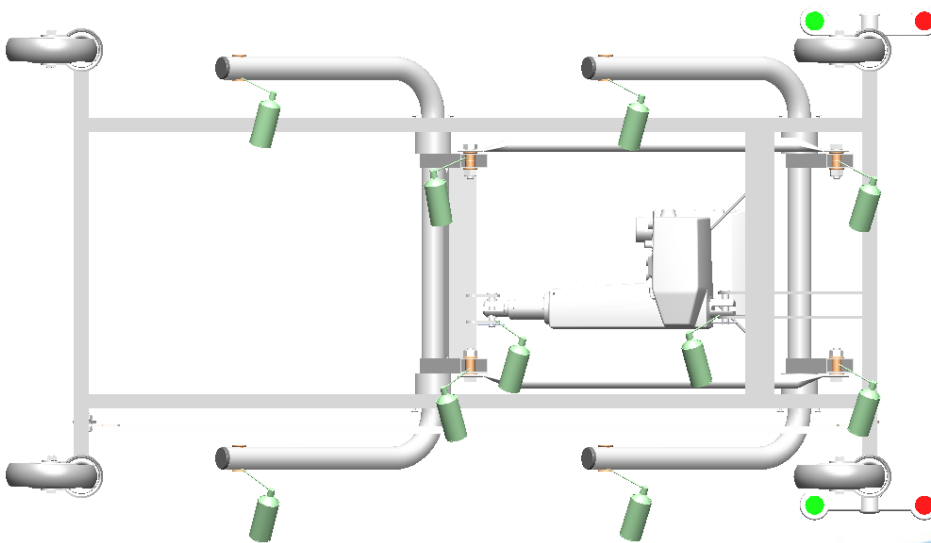
Chlorine-base solutions are not recommended as a general rule, since it effects products and environment negatively, differently depending on concentration. If chlorine-based solutions are used, always wipe afterwards with damp cloth.

3.3 Lubrication scheme

Lubrication according to the scheme should be performed every 6 months or as needed.



HYDRAULIC



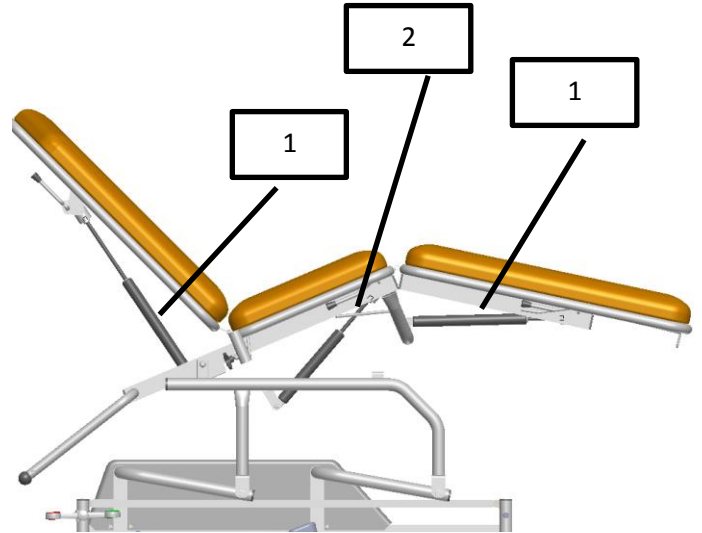
ELEKTRIC

1. First lock the castors.
2. Enlist the help of another person and tip the couch on the side, in order to lubricate the moving joints.

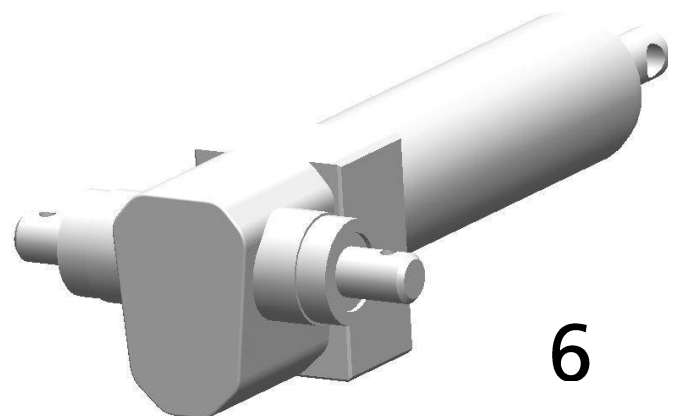
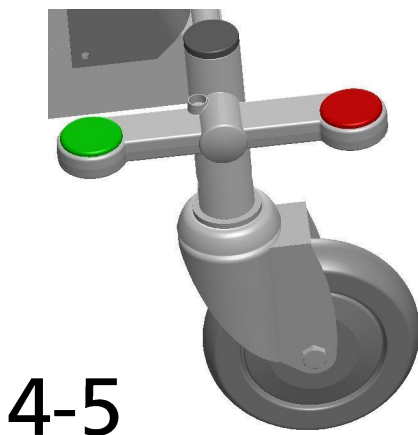
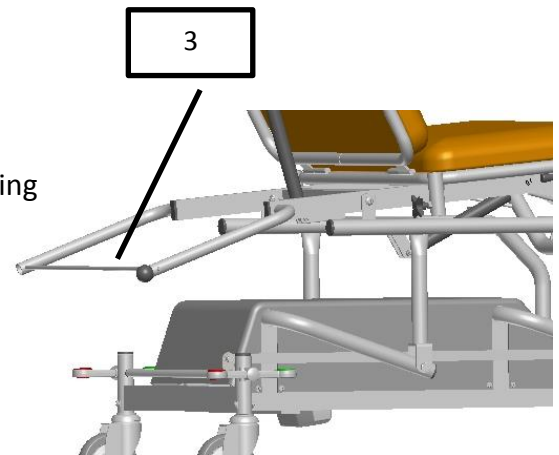
The spray can above indicates where to lubricate.



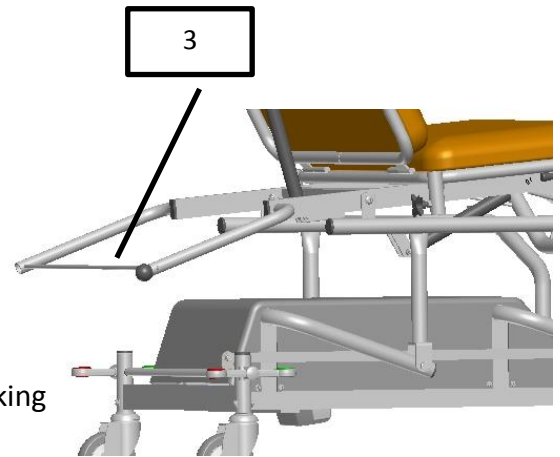
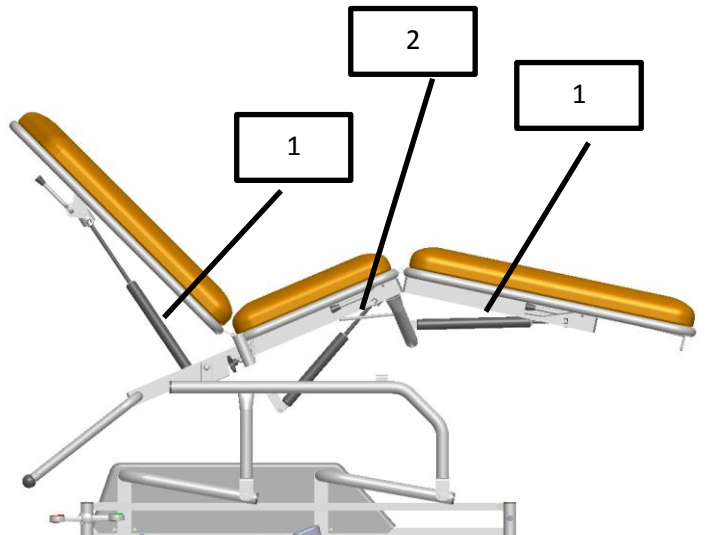
3.4 Spare parts, hydraulic



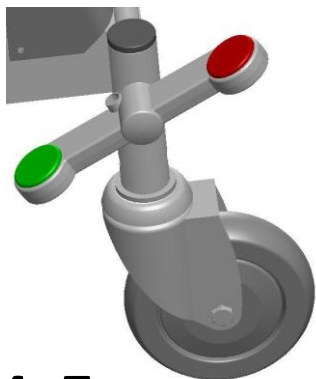
No.	Art no	Article
1-2	G0001	Gas spring
3	010-8540	Paper-roll holder including ball
4	125321630T2LPZ	Castor, central-locking
5	125321630T3LPZ	Castor, central-locking, directional-locking
6	HY001	Hydraulic pump



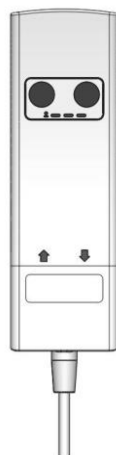
3.5 Spare parts, electric



No.	Art no	Article
1-2	G0001	Gas spring
3	010-8540	Paper roll holder including ball
4	125321630T2LPZ	Castor, central-locking
5	125321630T3LPZ	Castor, central-locking, directional-locking
8	491010	Hand control, one motor, Ad-motion
9	HB7160001+20500	Hand control, one motor, Linak
10	HB824500004+11	Hand control, two motors, Linak
11	HB834500003+11	Hand control, three motors, Linak



4-5



8



9

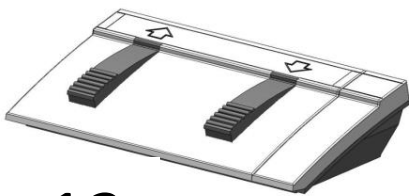


10



11

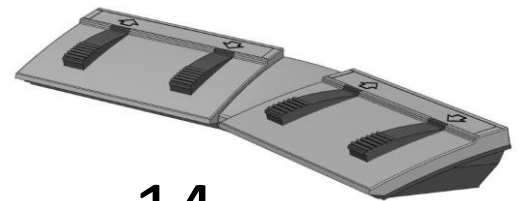
No.	Art no	Article
12	FS1001	Foot control, one motor, Linak
13	TFS-3-2-2	Foot control, one motor, Ad-motion
14	FS2001	Foot control, two motors, Linak
15	FS3001	Foot control, three motors, Linak
16	491008	Motor Timotion
17	491009	Control unit, Timotion
18	CB9140AE3+000F0	Control unit, Linak
19	343100+0015004A	Lifting motor, Linak
20	312100+3115004C	Backrest motor, Linak
21	312100+1110004C	Trendelenburg motor, Linak



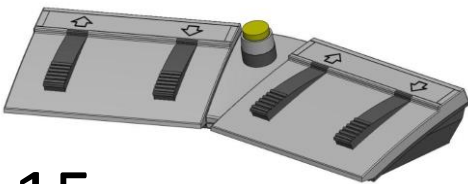
12



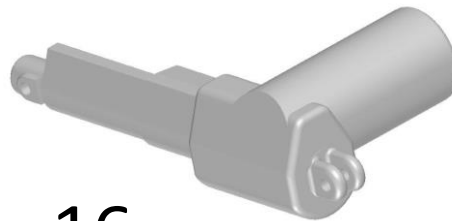
13



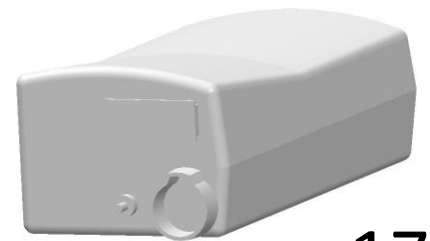
14



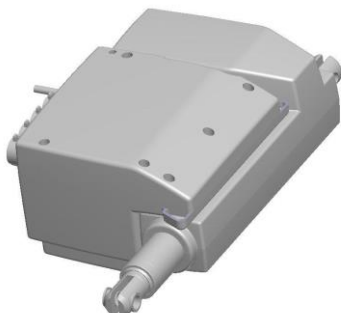
15



16



17



18-19



20



21

3.6 Accessories



Armrest



Armrest, fully adjustable



Neck cushion



Footrest

Accessories not in picture

White-coated chassis, Battery backupelectrically adjustable backrest and/or Trendelenburg position.

3.7 Solutions for lubrication, cleaning and disinfecting

R-1, Cleaning solution for artificial leather

5557001, Lubrication

C068, Disinfection solution, DAX Plus



Cleaning solution



Lubrication



Disinfection

4. TECHNICAL SPECIFICATIONS

4.1 Dimensions

Length: 200 cm

Width: 70 cm

Height: 57-95 cm

Length backrest 76 cm, seat section 46 cm, leg section 76 cm.

Backrest angle: +68°

Trendelenburg angle: -23°

Backrest angle: 35°

Weight: ca 72 kg

Max patient weight 160 kg

SWL 180 kg

4.2 Motors and control units

The motors comply with EMC directives in accordance with standard EN 60601-1-2.

At full load, the motors can be used a maximum of 6 minutes/hour. The actuator manufacturer guarantees at least 10 000 cycles performance.

Control units

Max. usage time 10% or 6 min/h at continuous operation. Complies with directives in accordance with standard EN 60601-1.

4.3 Battery backup

(optional)

General

The batteries used in the control unit are sealed lead batteries.

The included power cord should be plugged into an electrical outlet with 230 volts. The charger will recharge the battery in less than 12 hours. The charger can safely be connected for charging for extended periods.

If a battery is not used for a long time, it will gradually lose its stored energy. It is therefore recommended that the batteries are recharged at least 8 hours before usage.

Battery life

Battery life depends on several factors including the extent of discharging. If the battery is discharged too extensively between charges the lifespan will be reduced. Charging as often as possible is recommended.

The built-in buzzer "Charge the battery" that is built into the controller will sound when a discharge of 50% has occurred.

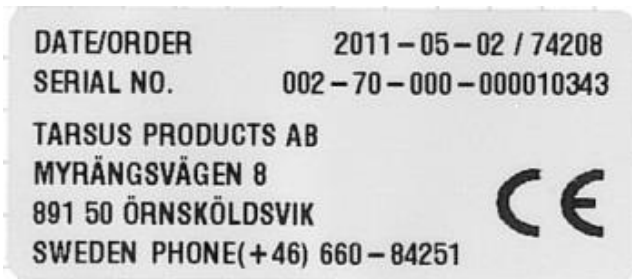
The life expectancy of the batteries is about 500-1200 charge cycles.



NOTE!

When the battery is depleted, the battery should be brought to a battery collection, if applied in your country, to conserve the environment.

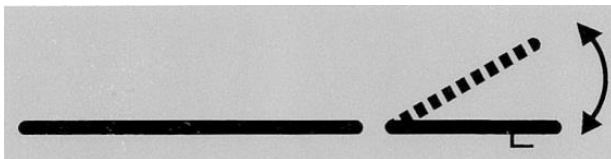
4.4 Labels on the product



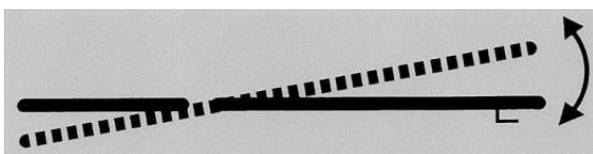
The CE label contains the date, order number, serial number and our contact information.



Max patient weight 160 kg.



Displays the adjustment of the backrest. There is a label on each side of the table.



Displays the adjustment of the Trendelenburg position. There is a label on each side of the table.



Displays that you can not sit on the leg section.

5. EU-DECLARATION OF CONFORMITY

EU-DECLARATION OF CONFORMITY

according to MDD 2007/42/EC including Appendix
and according to CE-marking Directive 93/68/EEC

Type of equipment: Examination table, hydraulic or electric

Manufacturer: Sjöbloms Sjukvårdsutrustning AB

Model: 010-8351 Product registration number: 10412

Model: 011-8351 Product registration number: 10413

The appendix contains documents that have been applied for verification of compliance.

Manufacturer

Sjöbloms Sjukvårdsutrustning AB

Myrängsvägen 8

S-891 50 ÖRNSKÖLDSVIK, SWEDEN

Sjöbloms Sjukvårdsutrustning AB ensures that the above products are in accordance with the EU Council MDD 93/42/EEC, as well as the Swedish legislation in force (1993:584) on medical devices and the regulations issued by Medical Products Agency (LVFS 2003:11).

Örnsköldsvik 2011-06-22



Karl-Gunnar Sjöblom

Production Manager

6. CONTACT INFORMATION

SJÖBLOMS

Myrängsvägen 8

891 50 Örnsköldsvik

Sweden

Tel: +46 660 842 51

Fax: +46 660 180 00

E-mail: info@sjobloms.com

Web page: www.sjobloms.com